

Lead-Free* Class 125/250 Iron Body Silent Check Valves

Wafer style • renewable seat and disc • spring actuated (1/2 PSI cracking pressure)

Class 125, 200 PSI/13.8 bar non-shock cold working pressure

Class 250, 400 PSI/27.6 bar non-shock cold working pressure

Maximum temperature to 200°F/93°C

W910-B-LF — 2" thru 10" ONLY

CERTIFIED LEAD-FREE* BY WQA TO NSF/ANSI 61 & 372
CONFORMS TO MSS SP-125 • FM APPROVED



C USA
COMPONENT LEAD-FREE

MATERIAL LIST

PART	SPECIFICATION
1. Body	Cast Iron ASTM 126 Class B
2. Seat	Bronze ASTM B584 Alloy C87600 (B)
2a. Seat	Buna-N Bonded to Bronze (W)
3. Disc	Bronze ASTM B584 Alloy C87600
4. Spring	Stainless Steel ASTM A313 UNS S31600
5. Bushing	Aluminum Bronze B505 C95400

DIMENSIONS—WEIGHTS—QUANTITIES

Size	Dimensions				W-910 Lbs. Kg.	W-960 Lbs. Kg.
	A		B			
In. mm.	In. mm.	In. mm.	In. mm.			
*2 50	4.25 108	2.63 67	6 5	6 3		
*2½ 65	5.00 127	2.88 73	7 3	7 3		
*3 80	5.75 146	3.13 79	12 5	12 5		
*4 100	7.00 178	4.00 102	18 8	18 8		
*5 125	8.38 213	4.63 117	27 12	27 12		
*6 150	9.75 248	5.50 140	42 19	42 19		
8 200	13.38 340	6.50 165	†85 39	86 39		
10 250	16.00 406	8.25 210	†146 66	†137 62		

*NOTE: Sizes 2" thru 6" have dual class ratings (125 lb. and 250 lb.) resulting in W-910 and W-960 being identical. 8" and 10" have special machining in accordance with Flange Class.

†Class 125 only.

*Class 250 only.

USE THIS VALVE ONLY WITH FLAT FACE FLANGE AND FULL FACE GASKET

WARNING: 1. Seat end of valve must be mated to a standard flat faced metal flange. Rubber flanges not acceptable.

2. These are not to be used as steam valves.

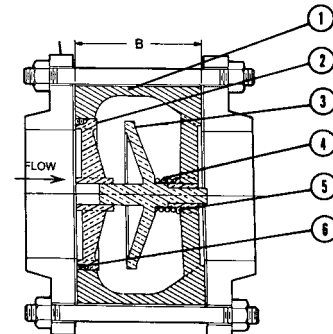
3. Valves are not to be used near a reciprocating air compressor.

Note: On pump discharge, the preferred check valves are:

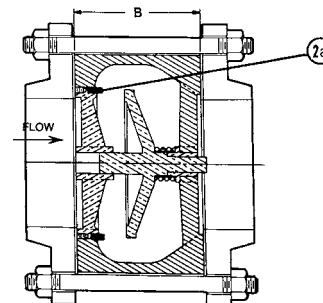
- inline, spring assisted, center-guided, lift checks
- spring assisted twin (double) disc
- swing design with lever and weight or lever and spring

Install 5 pipe diameters minimum downstream from pump discharge or changes in direction to avoid flow turbulence. Flow straighteners may be required in extreme cases.

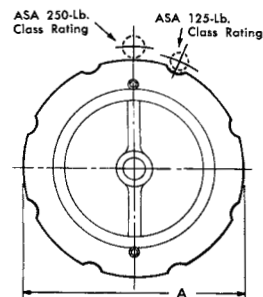
W-910-LF 125 lb. Class
W-960-LF 250 lb. Class



W-910-B-LF/W-960-B-LF
Wafer



W-910-W-LF/W-960-W-LF
Wafer



W-910-B-LF/W-960-B-LF
Wafer

*Weighted average lead content ≤ 0.25%

VISIT WWW.NIBCO.COM FOR CURRENT CHEM-GUIDE AND GALVANIC POTENTIAL IN PIPING SYSTEMS INFORMATION.

Visit our website for the most current information.