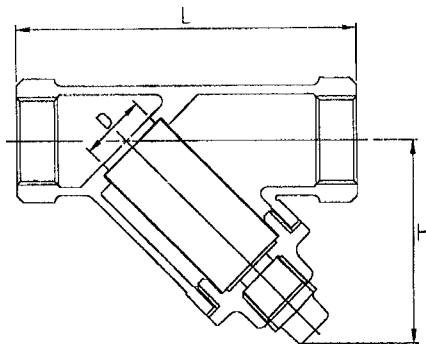


Bronze Y Strainer PN20

Thread Ends comply to BS21 Taper Thread (ISO 7)
Conforming to BS 5154 or BSEN 12288



NP 240

MATERIAL LIST

PART	MATERIAL	SPECIFICATION (BS)
1. Body	Cast Bronze	1982 CC490K
2. Screen	Stainless Steel 20 MESH Netted Screen	BSEN 10088-1
3. Cap	Bronze	1982 CC490K
4. Gasket	NBR Blue Guard #3000	--
5. Plug	Cast Bronze	1982 CC490K

Pressure Testing

Shell 30 Bar
Seat 22 Bar

Pressure Rating

9 bar at 180°C
20 bar from -10°C to 100°C

DIMENSIONS (mm)

Nominal Size Inch(mm)	D	H	L	Wt. (Kg)
1/2" (15mm)	14.0	48.5	80.0	0.35
3/4" (20mm)	19.5	58.0	100.0	0.54
1" (25mm)	25.0	70.0	115.0	0.85
1 1/4" (32mm)	31.8	80.0	135.0	1.08
1 1/2" (40mm)	38.1	93.0	160.0	1.83
2" (50mm)	50.0	112.0	190.0	2.88
2 1/2" (65mm)	63.5	130.0	220.0	4.33
3 (80mm)	76.2	146.0	265.0	6.33