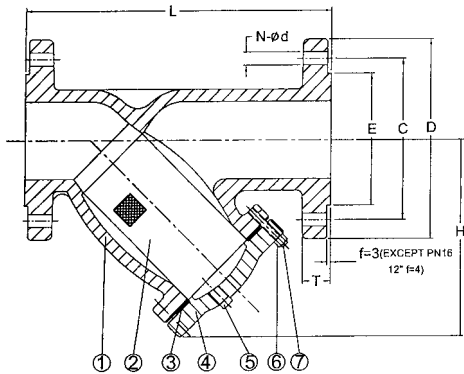


Cast Iron Y-Pattern Strainer Stainless Steel Screen Bolted Cover • Drain Plug

Face to Face BSEN 558-1 • Flange Dimensions BSEN 1092-2
Flanged drilled to BS 4504



MATERIAL LIST

PART	MATERIAL	SPECIFICATION (BS)
1. Body	Cast Iron	1561 EN JL 1030
2. Screen	Stainless Steel	BSEN 10088-1
3. Gasket	Graphite With Soft Steel	--
4. Cover	Cast Iron	1561 EN JL 1030
5. Drain Plug	Malleable Iron	1562 EN JM 1130
6. Nut	Carbon Steel	BSEN 10087
7. Bolt	Carbon Steel	BSEN 10087

NPF-1000-Y

Pressure Testing

Shell 24 Bar
Seat 17.6 Bar

Pressure Rating

16 bar from -10°C to 100°C

DIMENSIONS (mm)

Nominal Size Inch(mm)	L	D	C	E	T	N-ø	H	Wt. (Kg)
2 1/2" (65mm)	270	185	145	118	20	4-19	188	17
3" (80mm)	290	200	160	132	22	8-19	195	20
4" (100mm)	350	220	180	156	24	8-19	246	33
5" (125mm)	390	250	210	184	26	8-19	302	51
6" (150mm)	440	285	240	211	26	8-23	321	67
8" (200mm)	540	340	295	266	30	12-23	398	103
10" (250mm)	660	405	355	319	32	12-28	483	184
12" (300mm)	720	460	410	370	32	12-28	560	286
14" (350mm)	949	520	470	429	36	16-28	725	470
16" (400mm)	1079	580	525	480	38	16-31	850	650